

REV.
C

AS6099™

RATIONALE

TYPO CORRECTED IN 90 DEGREE DIMENSION IN GRAPHICS. CENTER BODY DIMENSION NOTE 9 REVISED TO REFER TO AS1376 TABLE 1 IN LIEU OF TABLE 11.

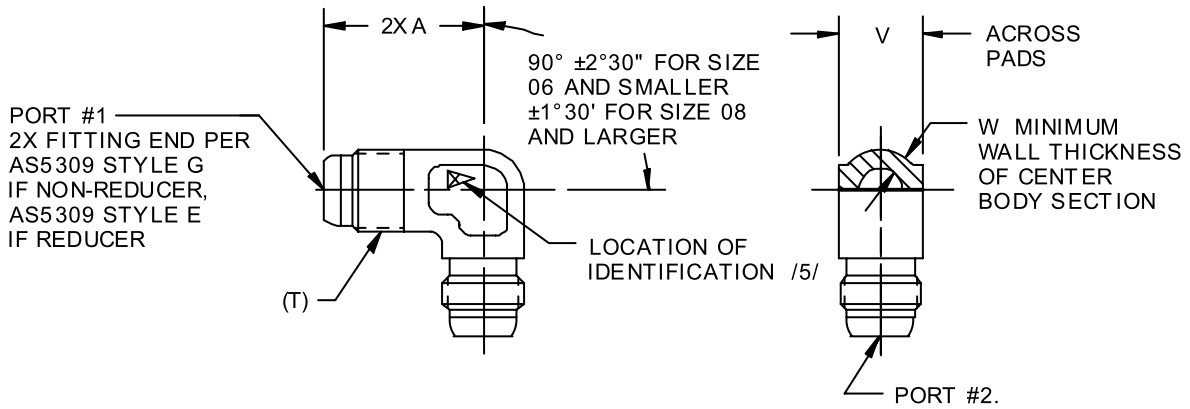


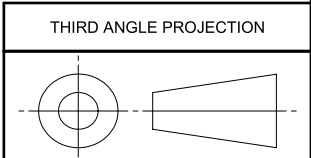
FIGURE 1 - ELBOW, 90 DEGREES

TABLE 1 - DIMENSIONS V AND W /11/

BASIC NO. AS6099 /10/ /17/ SIZE CODE	V	W	LB/EA APPROX REF ALUM	LB/EA APPROX REF CRES	LB/EA APPROX REF TI
02	.297- .314	.090	.0101	.0291	.0161
03	.360- .377	.100	.0151	.0432	.0238
04	.423- .440	.110	.0208	.0597	.0329
05	.485- .502	.120	.0274	.0787	.0434
06	.547- .565	.120	.0360	.103	.0570
08	.735- .753	.150	.0774	.222	.123
10	.860- .878	.170	.0965	.277	.153
12	1.047-1.065	.185	.191	.548	.302
16	1.292-1.317	.205	.285	.818	.451
20	1.605-1.630	.240	.485	1.39	.769
24	1.855-1.880	.240	.671	1.93	1.06
32	2.542-2.572	.350	1.65	4.73	2.61

SAE Executive Standards Committee Rules provide that: " This report is published by SAE to advance the state of technical and engineering sciences. The use of this report is entirely voluntary, and its applicability and suitability for any particular use, including any patent infringement arising therefrom, is the sole responsibility of the user." SAE reviews each technical report at least every five years at which time it may be revised, reaffirmed, stabilized, or cancelled. SAE invites your written comments and suggestions.

For more information on this standard, visit
<https://www.sae.org/standards/content/AS6099C/>



CUSTODIAN: G-3/G-3B

PROCUREMENT SPECIFICATION: AS4841 /4/



AEROSPACE STANDARD

FITTING, ELBOW, 90°,
STANDARD AND REDUCER,
FLARED, 37° SPHERICAL

AS6099™
SHEET 1 OF 4

REV.
C

TABLE 2 - LEG LENGTH A

FORGING SIZE /10/	TUBE SIZE OF PORT #1 AND #2 02	TUBE SIZE OF PORT #1 AND #2 03	TUBE SIZE OF PORT #1 AND #2 04	TUBE SIZE OF PORT #1 AND #2 05	TUBE SIZE OF PORT #1 AND #2 06	TUBE SIZE OF PORT #1 AND #2 08	TUBE SIZE OF PORT #1 AND #2 10	TUBE SIZE OF PORT #1 AND #2 12	TUBE SIZE OF PORT #1 AND #2 16	TUBE SIZE OF PORT #1 AND #2 20	TUBE SIZE OF PORT #1 AND #2 24	TUBE SIZE OF PORT #1 AND #2 32
02	.788	-	-	-	-	-	-	-	-	-	-	-
03	.820	.851	-	-	-	-	-	-	-	-	-	-
04	.820	.843	.914	-	-	-	-	-	-	-	-	-
05	.874	.905	.976	.976	-	-	-	-	-	-	-	-
06	.978	1.009	1.080	1.080	1.086	-	-	-	-	-	-	-
08	1.064	1.095	1.166	1.166	1.172	1.273	-	-	-	-	-	-
10	1.166	1.197	1.268	1.268	1.274	1.375	1.476	-	-	-	-	-
12	1.263	1.294	1.365	1.365	1.371	1.472	1.573	1.679	-	-	-	-
16	1.373	1.404	1.475	1.475	1.481	1.582	1.683	1.789	1.836	-	-	-
20	1.576	1.607	1.678	1.678	1.684	1.786	1.886	1.992	2.039	2.086	-	-
24	1.716	1.747	1.818	1.818	1.824	1.925	2.026	2.132	2.179	2.226	2.351	-
32	2.201	2.232	2.303	2.303	2.309	2.410	2.511	2.617	2.664	2.711	2.836	3.086

TABLE 3 - TUBE SIZE AND CORRESPONDING THREAD

PORT SIZE	NOMINAL TUBE SIZE	T THREAD PER AS8879 CLASS 3A
02	.125	.3125-24 UNJF
03	.188	.3750-24 UNJF
04	.250	.4375-20 UNJF
05	.312	.5000-20 UNJF
06	.375	.5625-18 UNJF
08	.500	.7500-16 UNJF
10	.625	.8750-14 UNJF
12	.750	1.0625-12 UNJ
16	1.000	1.3125-12 UNJ
20	1.250	1.6250-12 UNJ
24	1.500	1.8750-12 UNJ
32	2.000	2.5000-12 UNJ